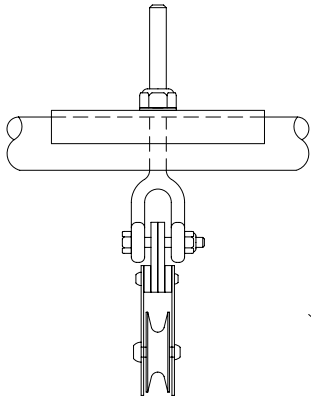


2" DIA. x 1/4 WALL  
x 8 FT. MAST  
6061-T6 TUBE

1 1/2 DIA. x 1/8 WALL  
LEGS 6061-T6 TUBE  
1" DIA. x .049 WALL  
RUNGS & DIAGONALS  
6063-T832 DRAWN TUBE

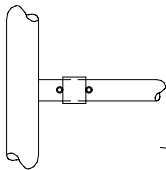
TOP PLATE AND  
LOWER PLATE TO  
SUIT CUSTOMERS  
REQUIREMENTS

"C" SECTION



ENLARGED VIEW  
OF PULLEY ASS'Y.

"D" SECTION



ENLARGED VIEW OF  
ROLLER (BCD-111)  
ASSEMBLY TYP.

"E" SECTION

WINCH



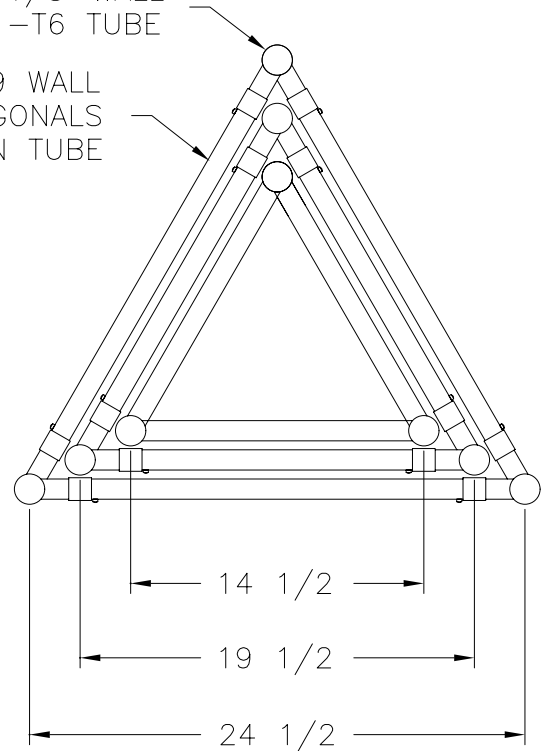
21'

21'

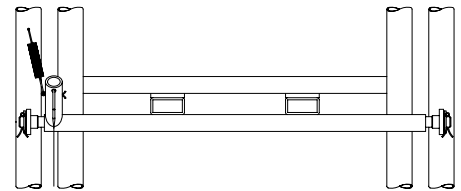
72'

25'

40"



CROSS SECTION



SAFETY STOP  
E-562

PROPERLY INSTALLED THIS TOWER WILL SUPPORT 25 SQ. FT. OF ANTENNA SURFACE AREA TO 80 MPH. PROPER INSTALLATION REQUIRES THAT THE LOWER SECTION OF THE TOWER BE BRACKETED TO A STRUCTURE AT A MINIMUM OF 6 FEET OR THAT THE LOWER SECTION BE GUYED. THIS TOWER TERMINATES AT THE TOP WITH OUR "C" SECTION AND INCORPORATES A PLATE WHICH WILL ACCEPT AN ANTENNA ROTOR OR A FIXED (NON ROTATING) MAST. THIS TOWER IS IDEAL FOR YAGI, BEAM AND OTHER DIRECTIONAL ANTENNAS.

APPROX. TOWER WT. 250#

**GENERAL NOTES:**

SEE SR-25.0-1151 FOR RIGGING LAYOUT

ALL DIMENSIONS ARE IN INCHES AND FRACTIONS, UNLESS OTHERWISE SHOWN.

THIS DRAWING IS THE PROPERTY OF ALUMA TOWER CO. INC. ANY DUPLICATION OTHER THAN ITS EXPRESSED PURPOSE, REUSE, MODIFICATION OR PLAGIARISM OF ANY PART OF THIS DOCUMENT IS PROHIBITED. VIOLATORS WILL BE PROSECUTED UNDER FLORIDA STATE STATUTES. DO NOT SCALE DRAWING.

**ALUMA TOWER CO. INC.**

VERO BEACH, FL 32960

**T-75XHD STANDARD  
TOWER ASSEMBLY**

B	9-3-10	ADDED PROPERLY INSTALLED TEXT	HC	DRWN BY: M.R.T.	SCALE: FULL	DRWG. NO.  QS-1029
A	8-20-09	UPDATED HEIGHTS PER NEW STANDARD OVERLAP & RIGGING	HC	DGN BY: R.T.	DATE: 7-14-97	
REV.	DATE	DESCRIPTION	BY	CKD BY: R.T.	APP'D	REV. B