

ALUMA

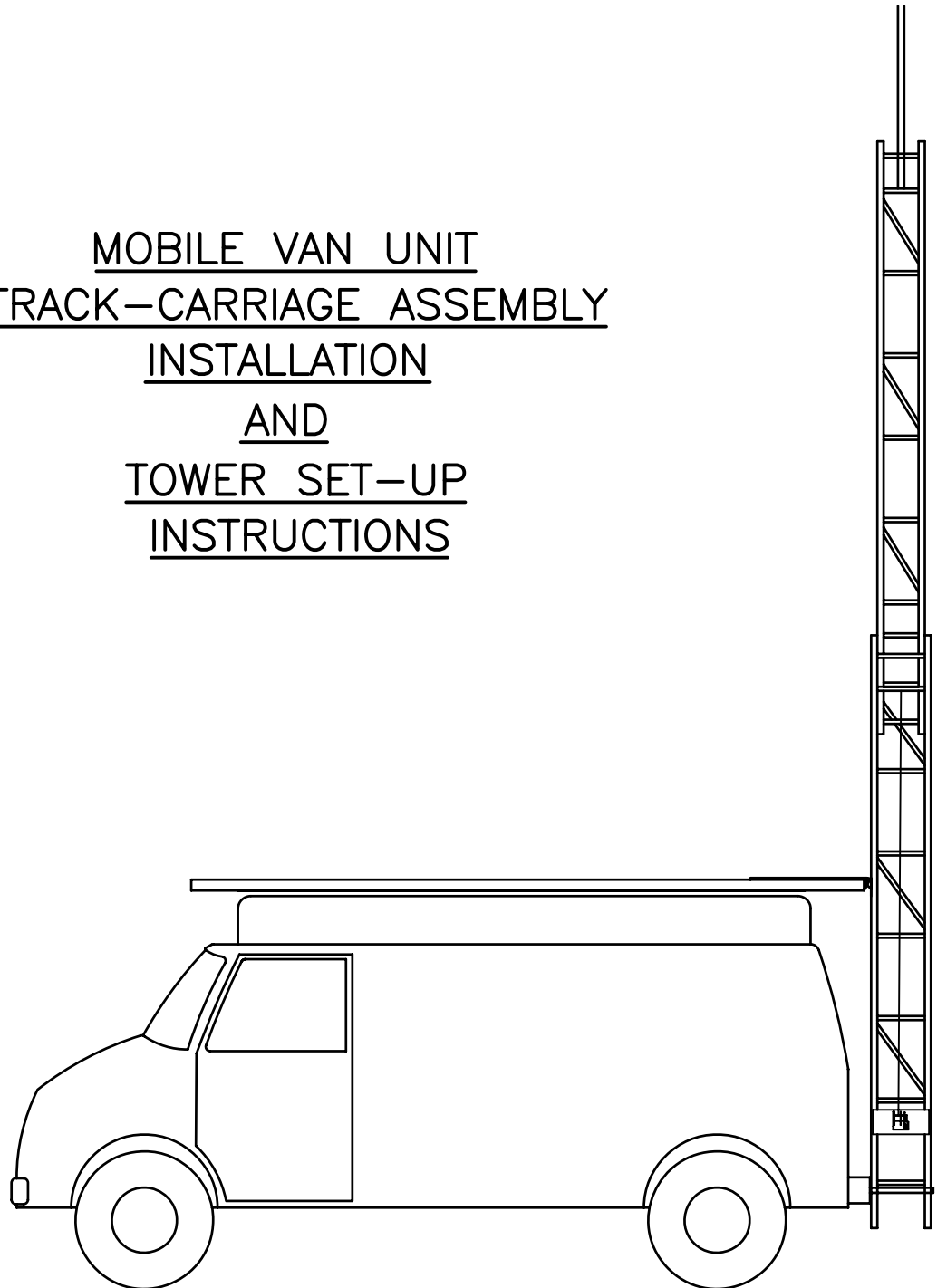
Tower Company, Inc.

1639 Old Dixie Highway
P.O. Box 2806

Vero Beach, FL USA 32961-2806
Voice (772) 567-3423
Fax (772) 567-3432

PAGE 1 OF 8

MOBILE VAN UNIT
TRACK-CARRIAGE ASSEMBLY
INSTALLATION
AND
TOWER SET-UP
INSTRUCTIONS

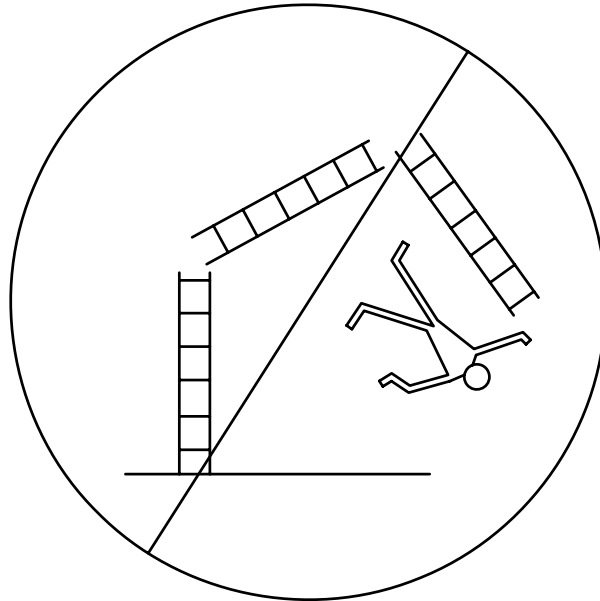


IM1.00MVU (REV.B)

WARNING NOTICE DANGER !!!



**DO
NOT
CLIMB!**



**DEATH
MAY
OCCUR!**

WARNING!

NEVER, UNDER ANY CIRCUMSTANCES, ATTEMPT TO CLIMB YOUR TOWER FOR ANY REASON!!!
ALWAYS LOWER TOWER COMPLETELY AND ACCESS YOUR TOWER BY USE OF A SUITABLE LADDER.

ALUMA TOWER COMPANY ASSUMES NO LIABILITY IF FAULTY OR DANGEROUS INSTALLATION PRACTICES ARE USED. THERE ARE AVAILABLE, TRAINED, AND EXPERIENCED PERSONNEL TO ASSIST IN INSTALLATION, MAINTENANCE, OR DISASSEMBLY. CONTACT YOUR LOCAL INSTALLER IF CONSULTATION OR ASSISTANCE IS REQUIRED.

ALL TOWER AND ANTENNA INSTALLATIONS SHOULD BE THOROUGHLY INSPECTED AT LEAST TWICE A YEAR BY QUALIFIED, EXPERIENCED, AND TRAINED PERSONNEL TO INSURE PROPER PERFORMANCE AND SAFETY STANDARDS.

DO NOT ERECT AN ANTENNA, TOWER, OR ROTOR DURING AN ELECTRICAL STORM, RAINSTORM OR WHEN LIGHTNING IS A POSSIBILITY.

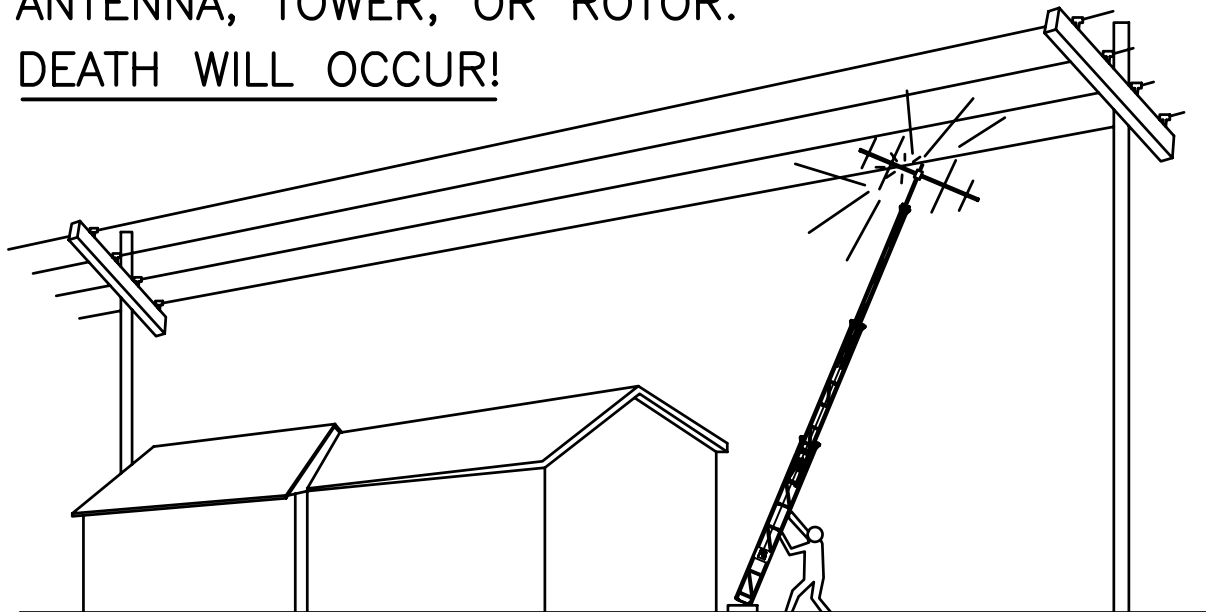
WARNING NOTICE DANGER !!!



CAUTION:

TAKE CARE TO AVOID ANY CONTACT WITH
OVERHEAD POWERLINES WHEN RAISING,
INSTALLING, OR REPAIRING YOUR
ANTENNA, TOWER, OR ROTOR.

DEATH WILL OCCUR!

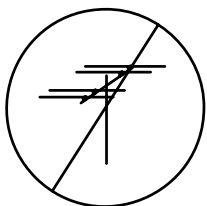


ALUMA TOWER COMPANY ASSUMES NO LIABILITY IF FAULTY OR DANGEROUS INSTALLATION PRACTICES ARE USED. THERE ARE AVAILABLE, TRAINED, AND EXPERIENCED PERSONNEL TO ASSIST IN INSTALLATION, MAINTENANCE, OR DISASSEMBLY. CONTACT YOUR LOCAL INSTALLER IF CONSULTATION OR ASSISTANCE IS REQUIRED.

ALL TOWER AND ANTENNA INSTALLATIONS SHOULD BE THOROUGHLY INSPECTED AT LEAST TWICE A YEAR BY QUALIFIED, EXPERIENCED, AND TRAINED PERSONNEL TO INSURE PROPER PERFORMANCE AND SAFETY STANDARDS.

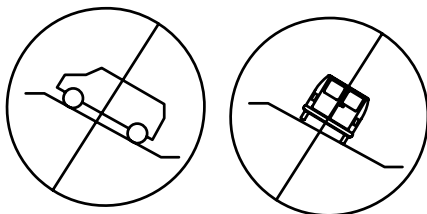
DO NOT ERECT AN ANTENNA, TOWER, OR ROTOR DURING AN ELECTRICAL STORM, RAINSTORM OR WHEN LIGHTNING IS A POSSIBILITY.

THESE INSTRUCTIONS ARE TO ASSIST THE USER IN PROPERLY INSTALLING A TRACK AND CARRIAGE ASSEMBLY AND ERECTING A CRANK-UP TOWER MOUNTED ON A MOBILE VAN UNIT.

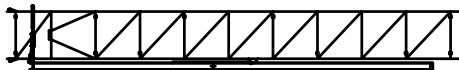


WARNING !

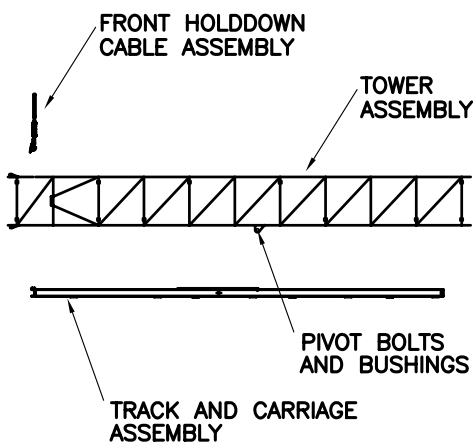
ENSURE THAT NO POWER LINES ARE IN IMMEDIATE AREA WHERE TOWER WILL BE ERECTED.



VEHICLE MUST BE ON LEVEL GROUND.



THE UNIT IS NORMALLY SHIPPED COMPLETELY ASSEMBLED.



FOR EASE OF TRACK AND CARRIAGE INSTALLATION REMOVE HOLDDOWN CABLE ASSEMBLY, PIVOT BOLTS, BUSHINGS, AND TOWER ASSEMBLY MAKING SURE TO NOTE SEQUENCE OF BOLTS, BUSHINGS AND NUTS FOR RE-ASSEMBLY.

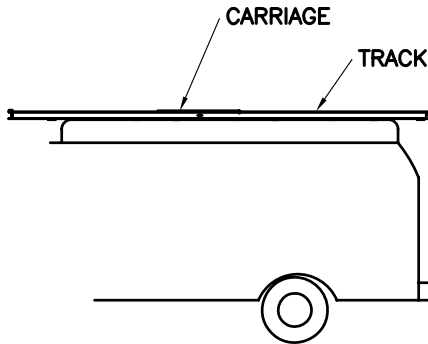
ALUMA

Tower Company, Inc.

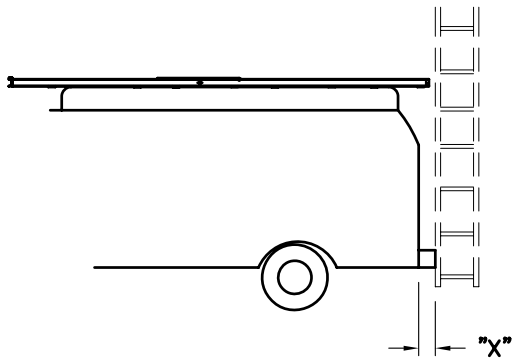
1639 Old Dixie Highway
P.O. Box 2806

Vero Beach, FL USA 32961-2806
Voice (772) 567-3423
Fax (772) 567-3432

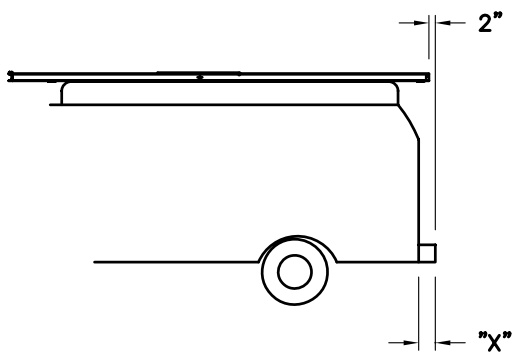
PAGE 5 OF 8



SET TRACK AND CARRIAGE ASSEMBLY
ON ROOF OF VEHICLE.



FROM REAR OF VEHICLE MEASURE BUMPER
PROTRUSION OR SURFACE WHERE TOWER
WILL REST AGAINST WHEN IN ITS VERTICAL
POSITION, DIMENSION "X".



SLIDE TRACK AND CARRIAGE ASSEMBLY SO
THAT TRACK OVERHANGS REAR OF VEHICLE
BY DIMENSION "X" - 2".

IM1.00MVU (REV.B)

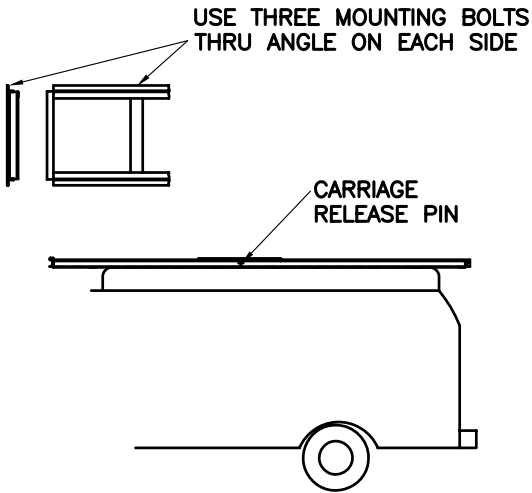
ALUMA

Tower Company, Inc.

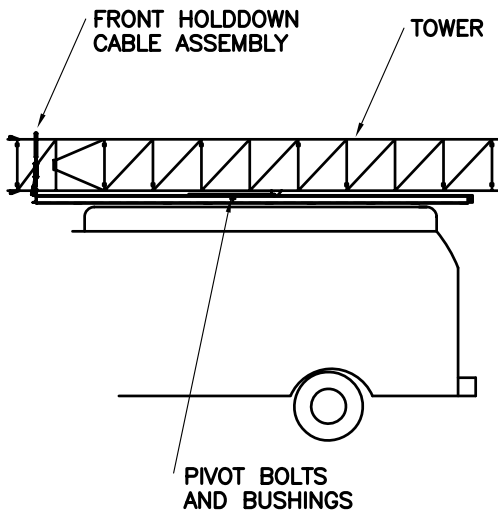
1639 Old Dixie Highway
P.O. Box 2806

Vero Beach, FL USA 32961-2806
Voice (772) 567-3423
Fax (772) 567-3432

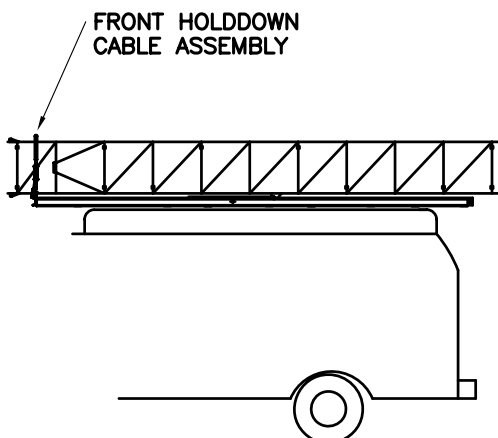
PAGE 6 OF 8



ALONG THE ANGLES WELDED TO THE SIDE OF THE TRACK, DETERMINE A MINIMUM OF 6 (3 PER SIDE) LOCATIONS TO BOLT THE TRACK ASSEMBLY TO THE ROOF. LOCATIONS SHOULD ALLOW HOLES TO BE DRILLED THROUGH STRUCTURAL SUPPORTS WITH SUITABLE WASHERS & NUTS TO SUPPORT THE TOWER ASSEMBLY.



METHOD OF FASTENING TO ROOF IS AT USERS DISCRETION DUE TO VARIOUS VEHICLE ROOF DESIGNS, 3/8" BOLTS ARE RECOMMENDED.



WITH TRACK AND CARRIAGE ASSEMBLY FULLY SECURED TO VEHICLE ROOF LOCK CARRIAGE WITH QUICK RELEASE PIN, REPLACE TOWER, BUSHINGS, BOLTS AND HOLDDOWN CABLE ASSEMBLY IN REVERSE ORDER OF DISASSEMBLY.

UNLATCH FRONT HOLDDOWN CABLE ASSEMBLY AND SWING OUT OF THE WAY.

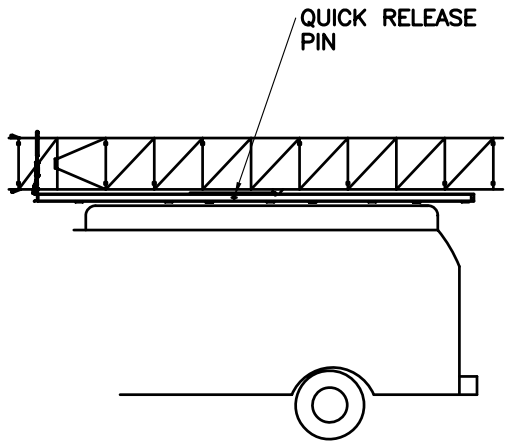
ALUMA

Tower Company, Inc.

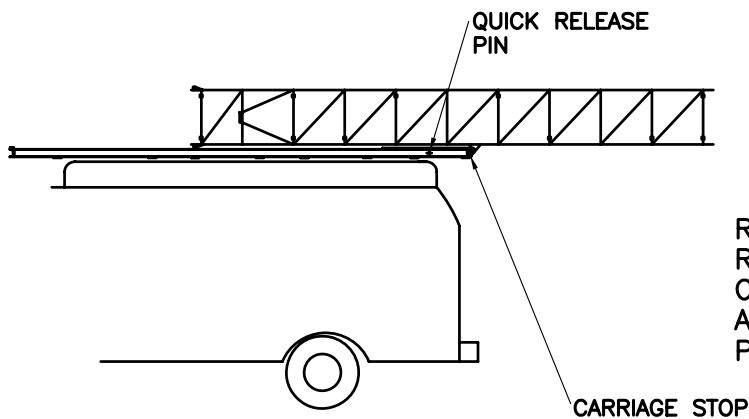
1639 Old Dixie Highway
P.O. Box 2806

Vero Beach, FL USA 32961-2806
Voice (772) 567-3423
Fax (772) 567-3432

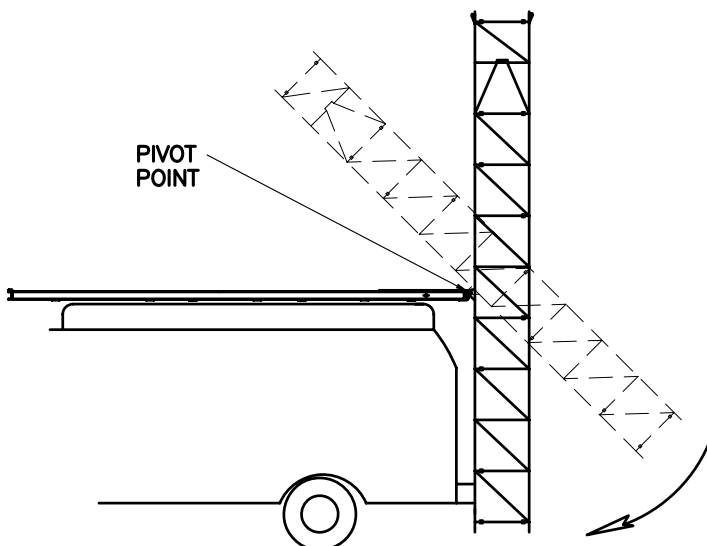
PAGE 7 OF 8



PULL QUICK RELEASE PIN TO UNLOCK ROLLING CARRIAGE.



ROLL TOWER AND CARRIAGE ASSEMBLY TO THE REAR OF THE VEHICLE UNTIL IT CONTACTS THE CARRIAGE STOP AT THE END OF THE TRACK AND RE-INSERT QUICK RELEASE PIN IN HOLE PROVIDED.



ROTATE TOWER TO ITS VERTICAL POSITION BEING CAREFUL NOT TO LET THE TOWER FALL WHEN IT HAS GONE BEYOND ITS CENTER OF GRAVITY.

IM1.00MVU (REV.B)

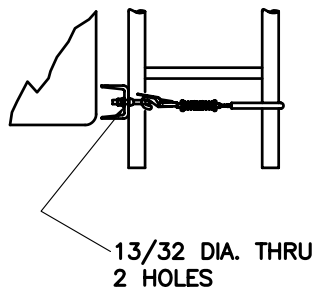
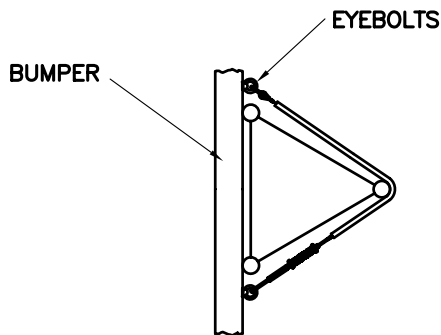
ALUMA

Tower Company, Inc.

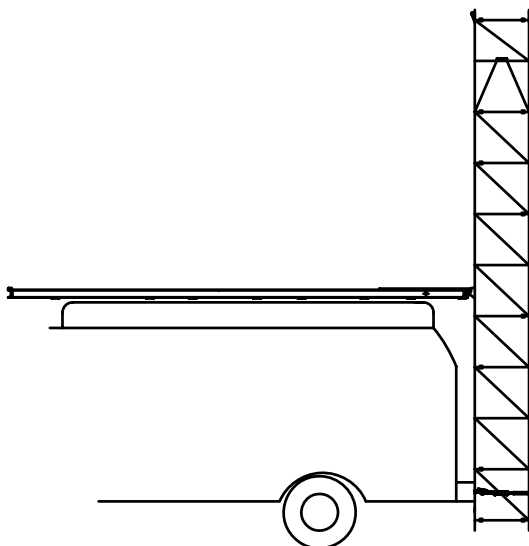
1639 Old Dixie Highway
P.O. Box 2806

Vero Beach, FL USA 32961-2806
Voice (772) 567-3423
Fax (772) 567-3432

PAGE 8 OF 8



WRAP BUMPER HOLDDOWN CABLE ASSEMBLY AROUND TOWER, DRILL (2) 13/32 DIAMETER HOLES THRU BUMPER AND ATTACH 3/8" EYEBOLTS WITH NUTS AND WASHERS PROVIDED.



ATTACH BUMPER HOLDDOWN CABLE ASSEMBLY TO EYEBOLTS AND LOCK TOWER IN THE VERTICAL POSITION.

BUMPER HOLDDOWN
CABLE ASSEMBLY

NOTE: REVERSE ABOVE PROCEDURE TO STOW TOWER FOR TRAVELING.
NEVER MOVE VEHICLE WITH TOWER IN THE VERTICAL POSITION.