

2" DIA. x 1/4 WALL
x 8 FT. MAST
6061-T6 TUBE

TOP PLATE AND
LOWER PLATE TO
SUIT CUSTOMERS
REQUIREMENTS

"D" SECTION

50' 8"

46'

25'

WINCH

WINCH

40"

1 1/2" DIA. x 1/8" WALL
LEGS 6061-T6 TUBE (TYP.)

1" DIA. x .049 WALL
RUNGS & DIAGONALS
6063-T832 DRAWN TUBE

19 1/2"
TYP.

24 1/2"
TYP.

CROSS SECTION

SAFETY STOP
E-562

PROPERLY INSTALLED THIS TOWER WILL SUPPORT 25 SQ. FT. OF ANTENNA SURFACE AREA TO 80 MPH. PROPER INSTALLATION REQUIRES THAT THE LOWER SECTION OF THE TOWER BE BRACKETED TO A STRUCTURE AT A MINIMUM OF 6 FEET OR THAT THE LOWER SECTION BE GUYED. THIS TOWER TERMINATES AT THE TOP WITH OUR "D" SECTION AND INCORPORATES A PLATE WHICH WILL ACCEPT AN ANTENNA ROTOR OR A FIXED (NON ROTATING) MAST. THIS TOWER IS IDEAL FOR YAGI, BEAM AND OTHER DIRECTIONAL ANTENNAS.

APPROX. TOWER WT. 191#

GENERAL NOTES:

ALL DIMENSIONS ARE IN INCHES AND FRACTIONS, UNLESS OTHERWISE SHOWN.

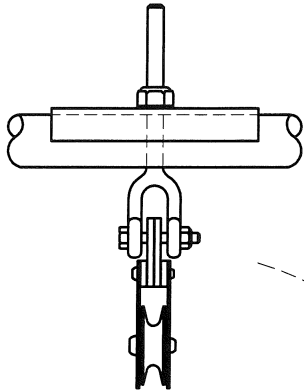
THIS DRAWING IS THE PROPERTY OF ALUMA TOWER CO. INC. ANY DUPLICATION OTHER THAN ITS EXPRESSED PURPOSE, REUSE, MODIFICATION OR PLAGIARISM OF ANY PART OF THIS DOCUMENT IS PROHIBITED. VIOLATORS WILL BE PROSECUTED UNDER FLORIDA STATE STATUTES. DO NOT SCALE DRAWING.

ALUMA TOWER CO. INC.

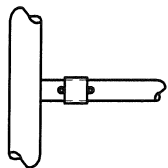
VERO BEACH, FL 32960

**T-50XXHD STANDARD
TOWER ASSEMBLY**

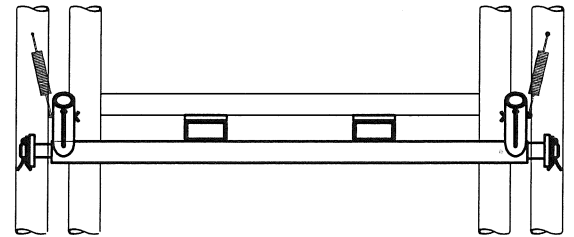
REV	DATE	DESCRIPTION	BY	DRWN BY: H.C.	SCALE: FULL	DRWG. NO. QS-1769
				DGN BY: C.D.	DATE: 2-11-08	
				CKD BY: C.D.	APP'D	



ENLARGED VIEW OF PULLEY ASS'Y.



ENLARGED VIEW OF ROLLER (BCD-111) ASSEMBLY TYP.



SAFETY STOP E-562