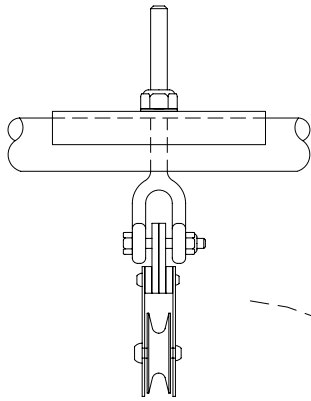


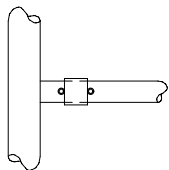
2" DIA. x 1/4 WALL
8 FT. MAST
6061-T6 TUBE

TOP PLATE AND
LOWER PLATE TO
SUIT CUSTOMERS
REQUIREMENTS

"C" SECTION



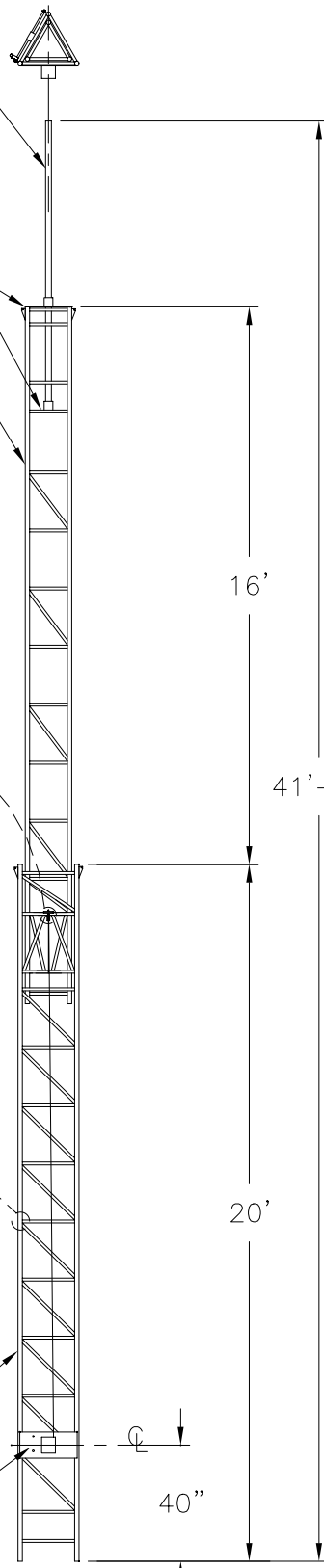
ENLARGED VIEW
OF PULLEY ASS'Y.



ENLARGED VIEW OF
ROLLER (BCD-111)
ASSEMBLY TYP.

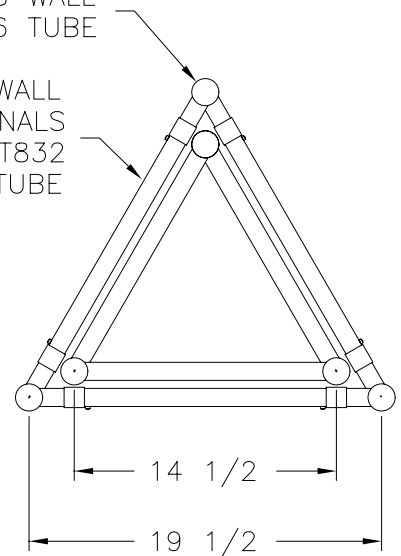
"D" SECTION

WINCH

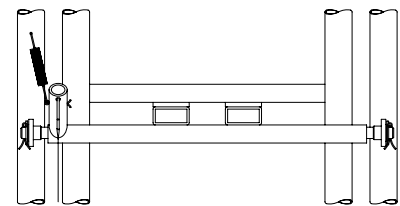


1 1/2 DIA. x 1/8 WALL
LEGS 6061-T6 TUBE

1" DIA. x .049 WALL
RUNGS & DIAGONALS
6063-T832
DRAWN TUBE



CROSS SECTION



SAFETY STOP
D-563

PROPERLY INSTALLED THIS TOWER WILL SUPPORT 23 SQ. FT. OF ANTENNA SURFACE AREA TO 80 MPH. PROPER INSTALLATION REQUIRES THAT THE LOWER SECTION OF THE TOWER BE BRACKETED TO A STRUCTURE AT A MINIMUM OF 6 FEET OR THAT THE LOWER SECTION BE GUYED. THIS TOWER TERMINATES AT THE TOP WITH OUR "C" SECTION AND INCORPORATES A PLATE WHICH WILL ACCEPT AN ANTENNA ROTOR OR A FIXED (NON ROTATING) MAST. THIS TOWER IS IDEAL FOR YAGI, BEAM AND OTHER DIRECTIONAL ANTENNAS.

APPROX. TOWER WT. 135#

GENERAL NOTES:

SEE SR-20.0-1095 FOR RIGGING LAYOUT

ALL DIMENSIONS ARE IN INCHES AND FRACTIONS, UNLESS OTHERWISE SHOWN.

THIS DRAWING IS THE PROPERTY OF ALUMA TOWER CO. INC. ANY DUPLICATION OTHER THAN ITS EXPRESSED PURPOSE, REUSE, MODIFICATION OR PLAGIARISM OF ANY PART OF THIS DOCUMENT IS PROHIBITED. VIOLATORS WILL BE PROSECUTED UNDER FLORIDA STATE STATUTES. DO NOT SCALE DRAWING.

REV.	DATE	DESCRIPTION	BY
C	8-15-09	UPDATED HEIGHTS PER NEW STANDARD OVERLAP & RIGGING	H.C.
B	8-3-00	ADDED SURFACE AREA	R.T.
A	5-9-00	HT. WAS 36'-10 1/2"	R.T.

ALUMA TOWER CO. INC.

VERO BEACH, FL 32960

T-40XHD STANDARD
TOWER ASSEMBLY

DRWN BY:	SCALE:	DRWG. NO.
M.R.T.	FULL	
DGN BY:	DATE:	
R.T.	7-14-97	QS-1028
CKD BY:	APP'D	REV. C
R.T.		