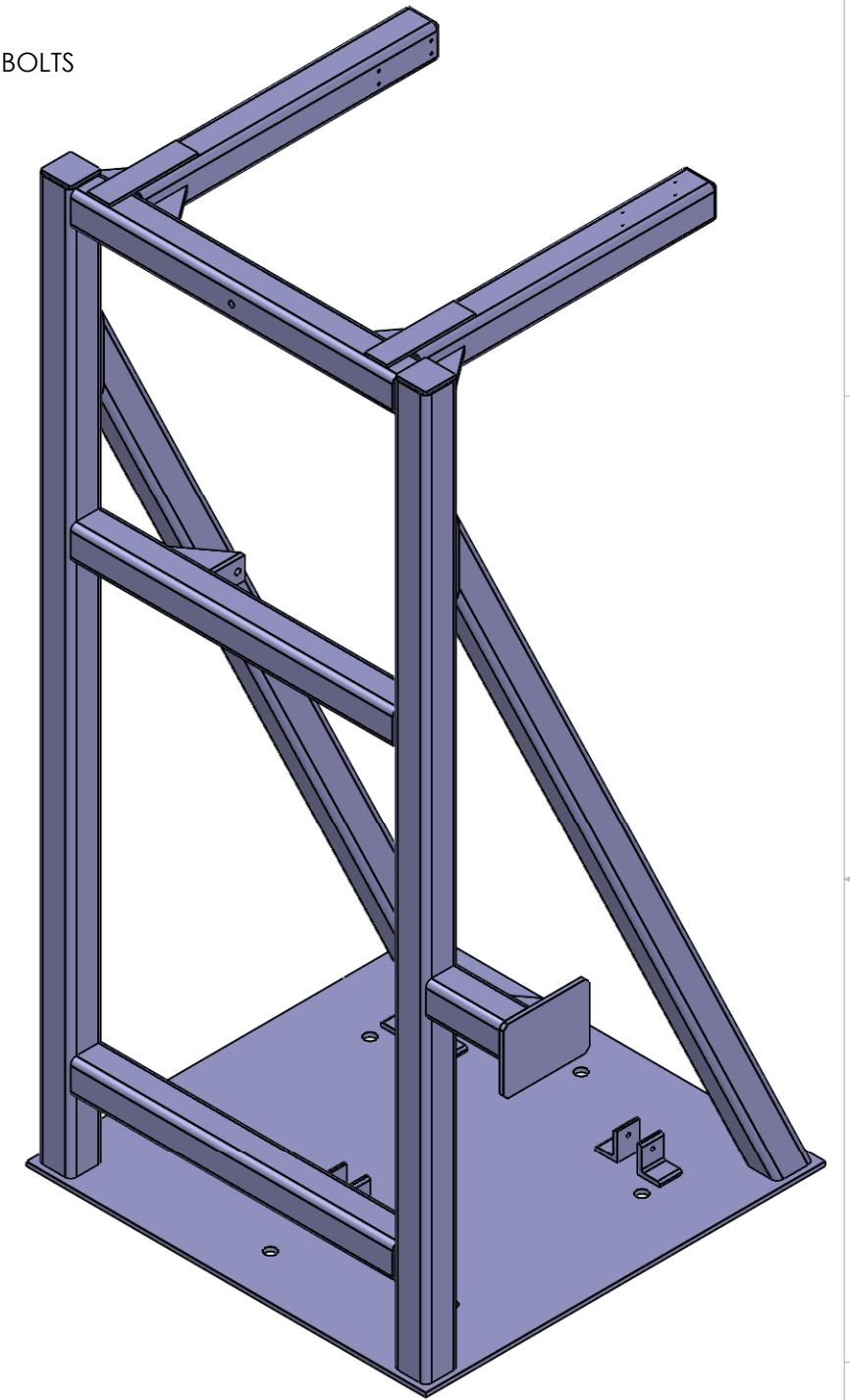
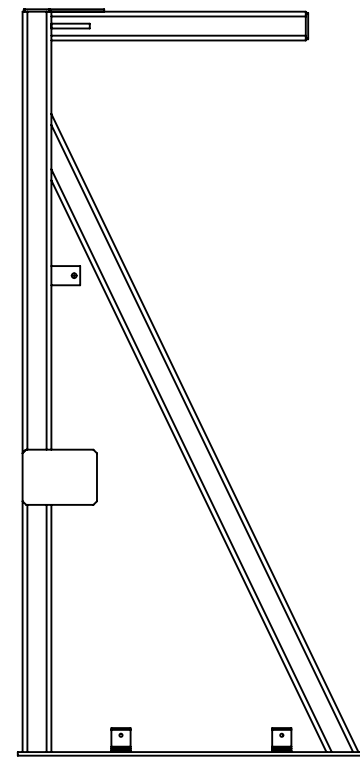
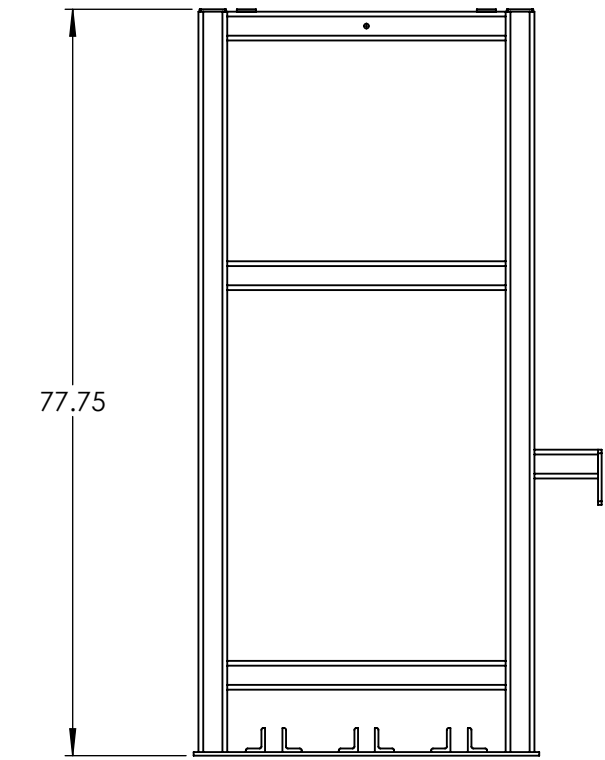
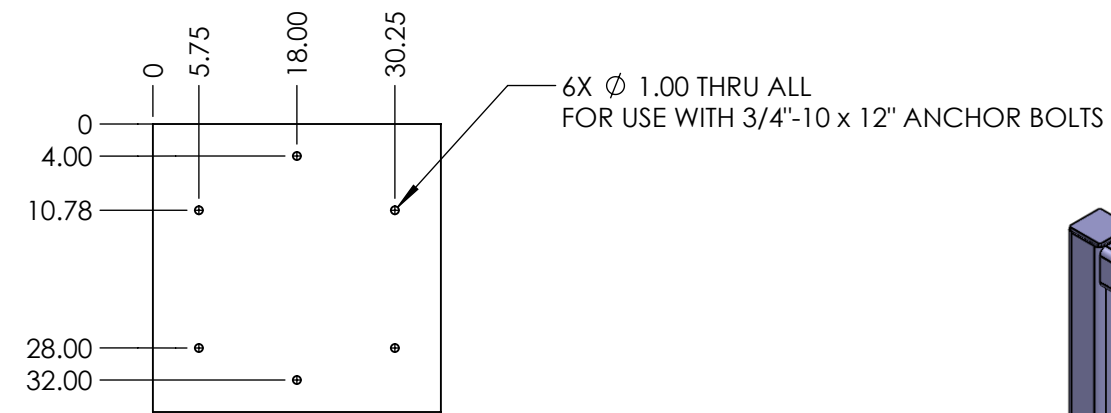
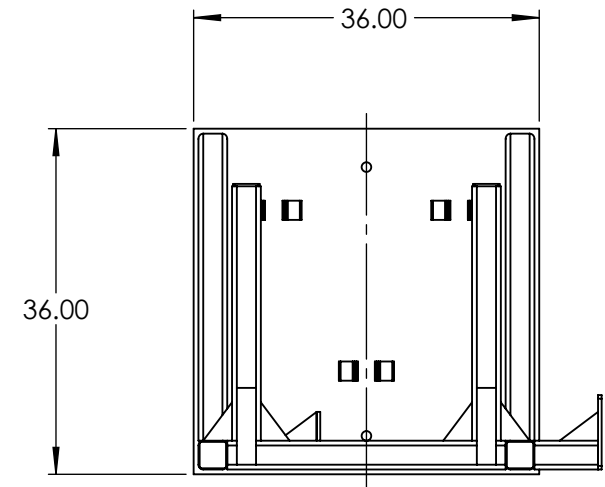



8 7 6 5 4 3 2 1



LAST SAVED ON 9/16/2015 LAST PRINTED ON 4/21/2016

D
C
B
A

D
C
B
A

		UNLESS OTHERWISE SPECIFIED		NAME		DATE	
		DIMENSIONS ARE IN INCHES TOLERANCES:		DRAWN		BL	
		$\frac{X}{X} \pm \frac{1}{16}$		CHECKED			
		ANGLE MACH $\pm 1^\circ$ BEND $\pm 5^\circ$		ENG APPR.			
		DECIMAL .X ± 0.05 .XX ± 0.010 .XXX ± 0.001		MFG APPR.			
		185°		Q.A.			
USED ON		NEXT ASSY		MATERIAL		SEE CUT LIST	
REMOVE ALL BURRS AND BREAK EDGES R0.030 OR CHAMFER MAX				FINISH		SEE NOTES	
<p>PROPRIETARY AND CONFIDENTIAL</p> <p>THE INFORMATION CONTAINED IN THIS DRAWING IS THE SOLE PROPERTY OF ALUMA TOWER COMPANY INC. ANY REPRODUCTION IN PART OR AS A WHOLE WITHOUT THE WRITTEN PERMISSION OF ALUMA TOWER COMPANY INC. IS PROHIBITED. VIOLATORS WILL BE PROSECUTED UNDER FLORIDA STATE STATUTES</p>		<p>COMMERCIAL TOLERANCES APPLY TO STOCK SIZE ALL DIMENSIONS APPLY AFTER SURFACE TREATMENT INTERPRET DRAWING PER ANSI Y14.5-2009 DO NOT SCALE DRAWING</p>		 <p>1639 OLD DIXIE HWY PO BOX 2806 VERO BEACH, FLORIDA 32961</p> <p>VOICE: 772.567.3423 FAX: 772.567.3432 ALUMATOWER.COM</p>		<p>TITLE: BASE STRUCTURE, TOWER, STEEL</p>	
		SIZE B		DWG. NO. 302596WEB		REV A	
		SCALE: 1:20		WT: 481.117 Lbs		SHEET 1 OF 1	

8 7 6 5 4 3 2 1