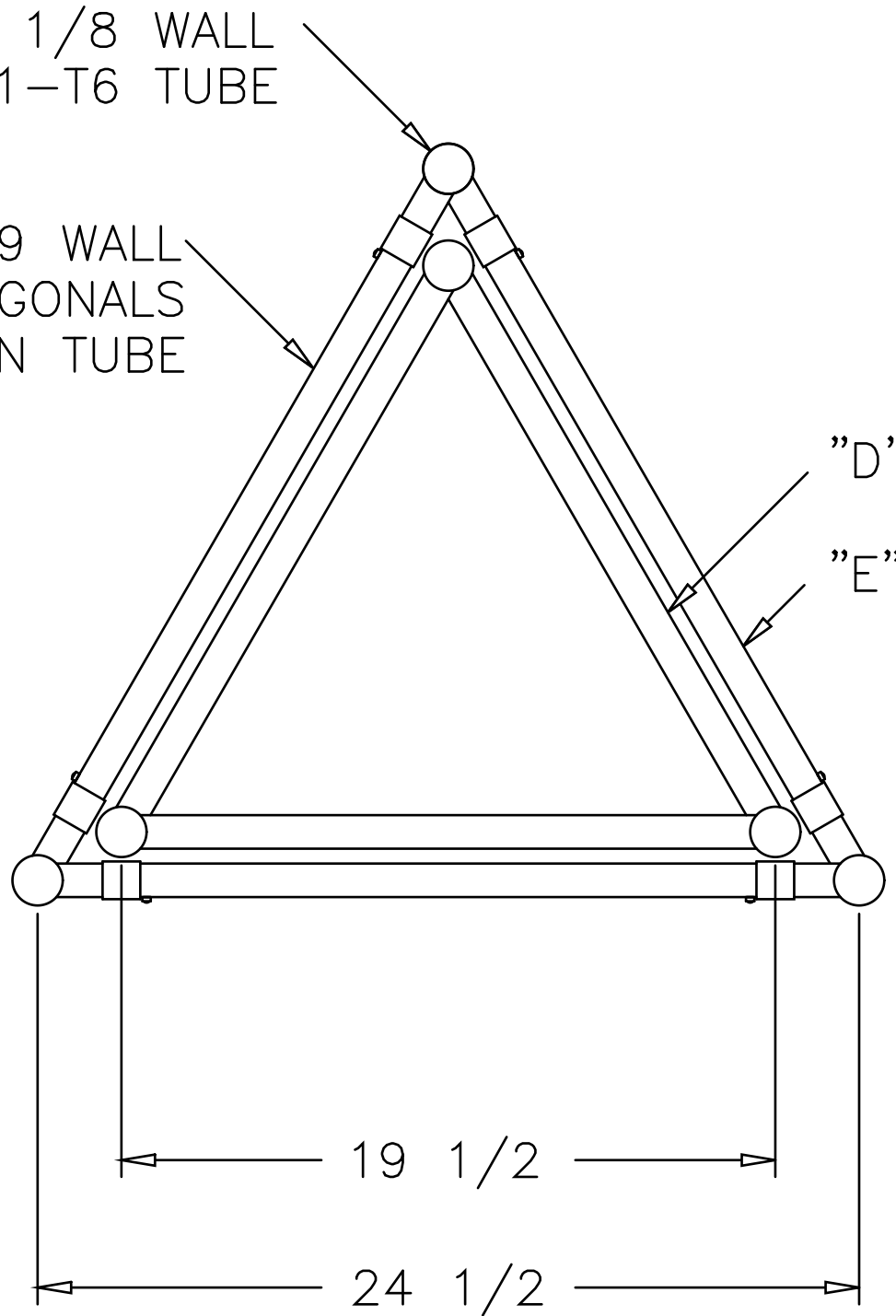


1 1/2 DIA. x 1/8 WALL  
LEGS 6061-T6 TUBE

1" DIA. x .049 WALL  
RUNGS & DIAGONALS  
6063-T832 DRAWN TUBE



"D" SECTION

"E" SECTION

XXHD CROSS SECTION