

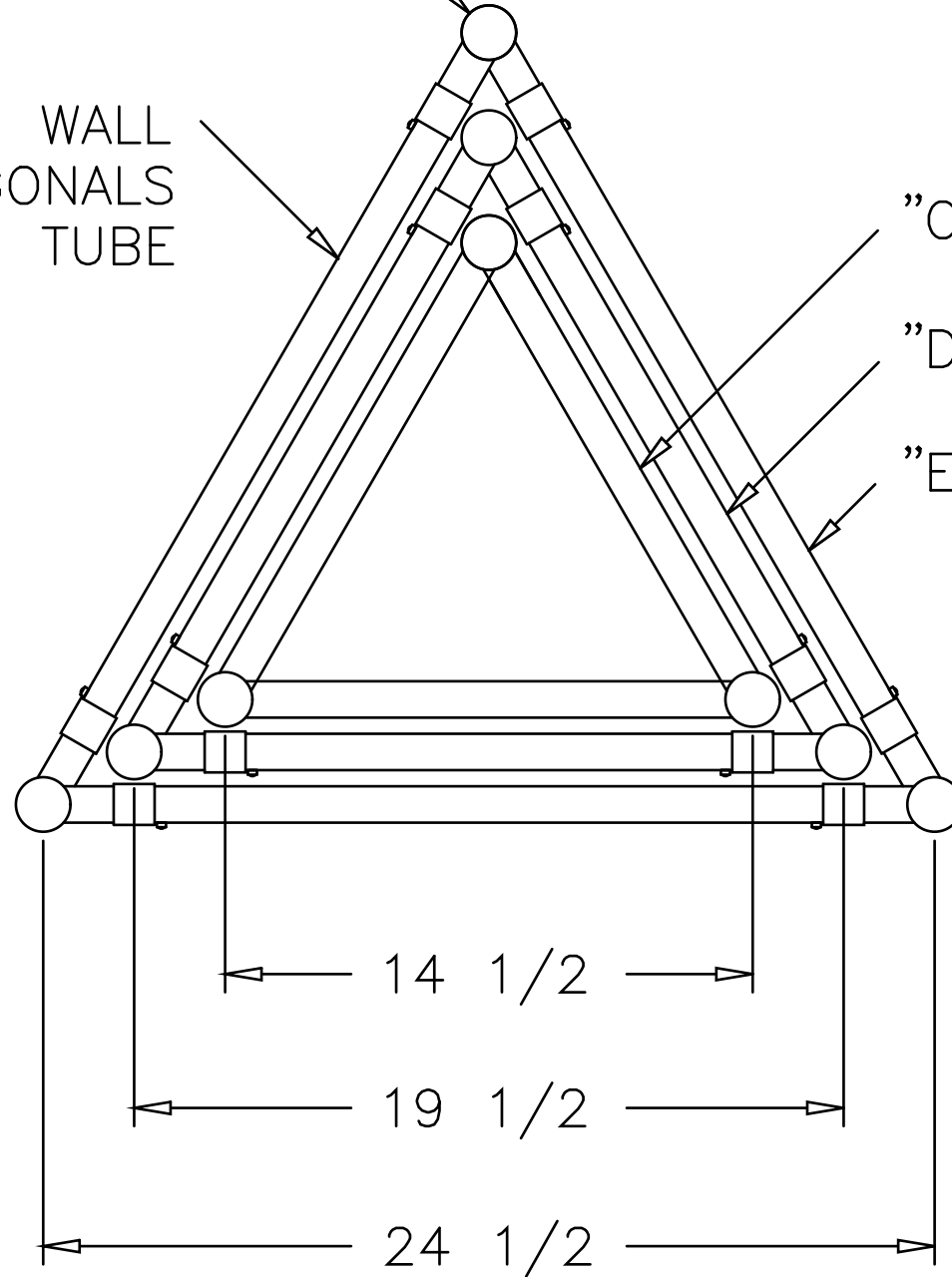
1 1/2 DIA. x 1/8 WALL
LEGS 6061-T6 TUBE

1" DIA. x .049 WALL
RUNGS & DIAGONALS
6063-T832 DRAWN TUBE

"C" SECTION

"D" SECTION

"E" SECTION



XHD CROSS SECTION